



**JBM CAMPLLONG, S.L.**  
PRODUCTES D'AUTOMOCIÓ

## DECLARACIÓN DE CONFORMIDAD CE

CONCEPTO: Declaración de conformidad para accesorios de automoción  
Producto: Calzos de aparcamiento  
Nº Report Homologación: 70.435.17.20741.01-01  
Artículo nombrado por el fabricante: 31903

Importado por: JBM CAMPLLONG, S.L.  
Distribuido por: JBM CAMPLLONG, S.L.  
Dirección: C/ Rejas, 2 – P5, Oficina 17, 28821 Coslada – Madrid, SPAIN  
CIF: B17419292

Detalles del producto:  
Referencia del distribuidor: 53508  
Cumple con: DIN 76051-1:1992





**Technical Report No. 70.435.17.20741.01-01**  
**Dated 2017-08-07**

Choose certainty.  
Add value.

Client:

Manufacturing place:

Test subject: Product: WHEEL CHOCK  
Type: 31903,31904(P450102)

Test specification: Load test based on DIN 76051-1:1992(Modified.)

Purpose of examination: Test according to the client requirements

Test result: See test result of clause 3

This technical report may only be quoted in full. Any use for advertising purposes must be granted in writing. This report is the result of a single examination of the object in question and is not generally applicable evaluation of the quality of other products in regular production.



## 1 Description of the test subject

### 1.1 Function

Manufacturer's specification for intended use:

*Are used for vehicles with driven traction devices.*

Manufacturer's specification for predictive misuse:

*Not provided.*

### 1.2 Consideration of the foreseeable misuse

- Not applicable
- Covered through the applied standard
- Covered by the following comment
- Covered by attached risk analysis

### 1.3 Technical Data

Model	31903	31904(P450102)
Material	PP T30S	PP 1120

## 2 Order

### 2.1 Date of Purchase Order, Customer's Reference

2017-07-17

### 2.2 Receipt of Test Sample, Location

2017-07-17, 2 pc per model, total 2 models

No. 99 South Jingu Road, Ningbo, Zhejiang Prov. P.R. of China

### 2.3 Date of Testing

2017-07-17

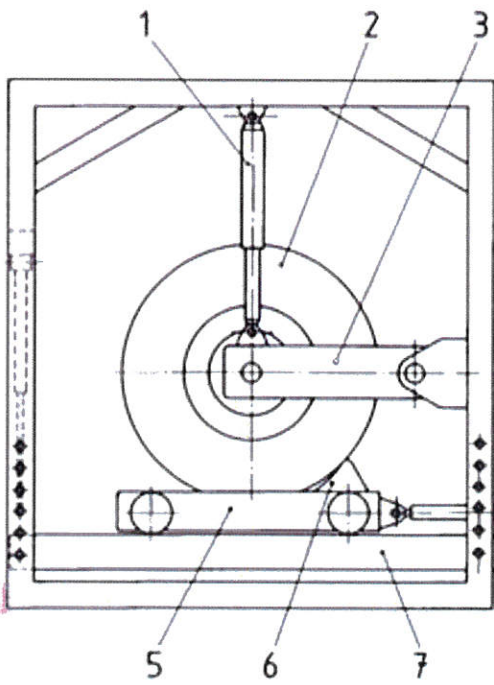
### 2.4 Location of Testing

No. 99 South Jingu Road, Ningbo, Zhejiang Prov. P.R. of China

### 2.5 Points of Non-compliance or Exceptions of the Test Procedure

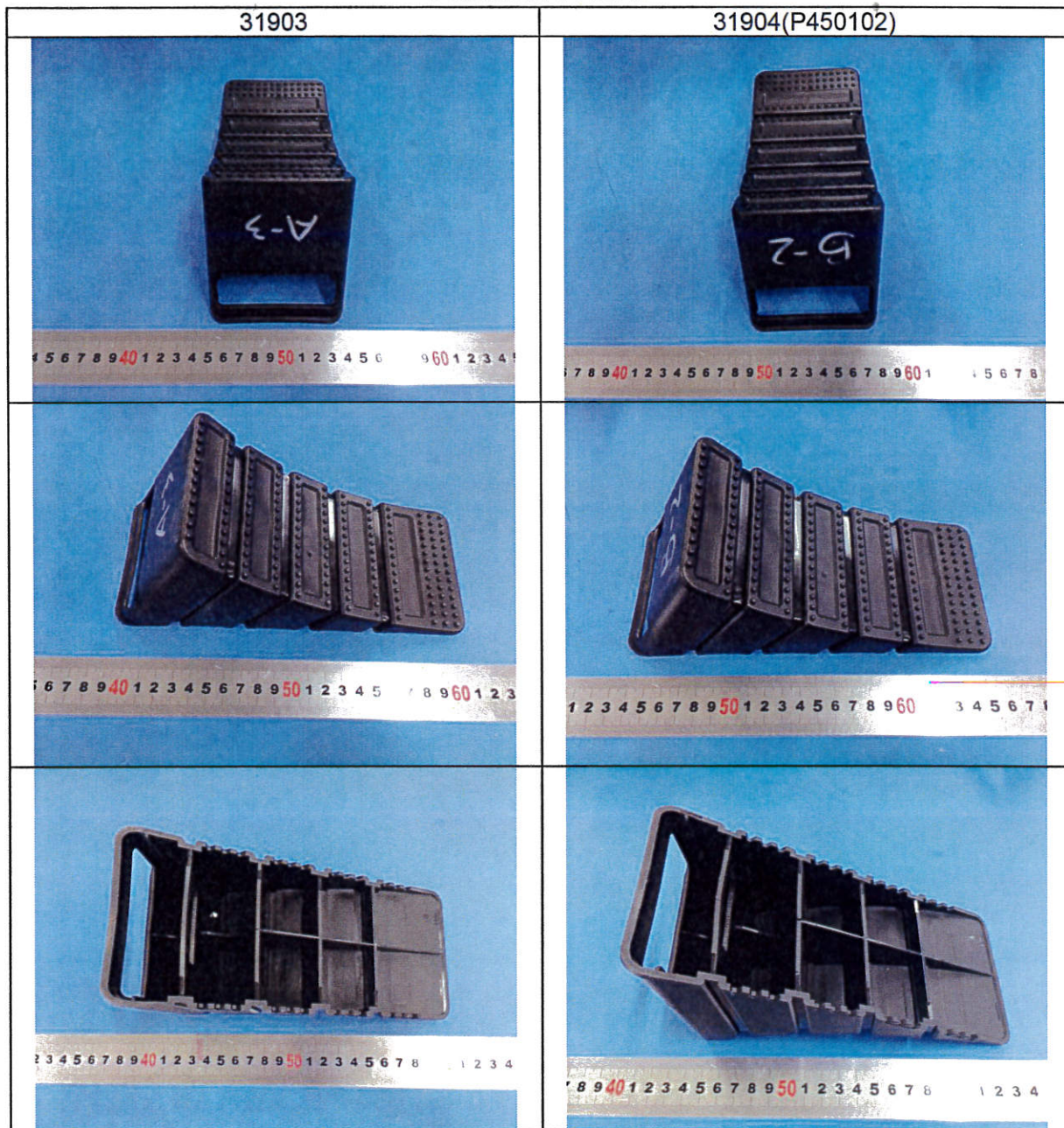
None

### 3 Test Results

Clause	Test requirement	Result	Rating
1	<p>Please see below test equipment, the slope of part 5 is 18%, place the wheel chock on part 5, and then add load on wheel 2 via hydraulic cylinder 1. Check if any permanent deformation was occurred after test.</p> <p>Parameter of wheel: 195/70R15C Pressure: 2.5 bar</p>	<p>For 31903, add the load to 1040kg and then release it. Repeat above mentioned for 20 times, no breakage was found after test.</p> <p>For 31904(P450102), add the load to 1300kg, and then released it, no breakage was found after test.</p> <p>Remark: Test cycles were based on client requirment.</p>	Pass
			--

### 4 Documentation

PRODUCT PHOTO





TÜV SÜD Certification and Testing (China) Co., Ltd. Shanghai Branch  
TÜV SÜD Group

Engineer:

Peijun Zhan

Technical Report checked:



Junjie Xu